
TECHNICAL BULLETIN

TIMBER PURLIN CONNECTION DETAIL

The following outlines the appropriate utilisation of Timber screws for MiTek systems, taking into consideration Site altitude, Terrain Category, and maximum Wind Speed.

This guidance is intended to ensure structural stability while adhering to specific truss spacing and purlin spacing limitations.

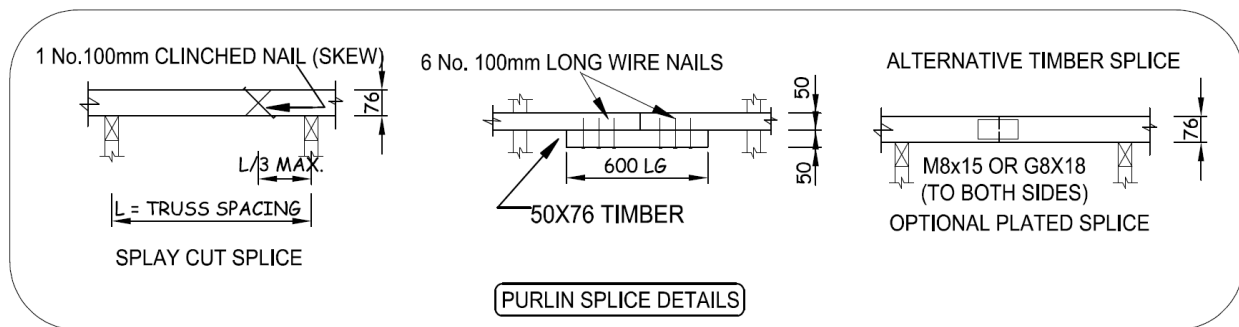
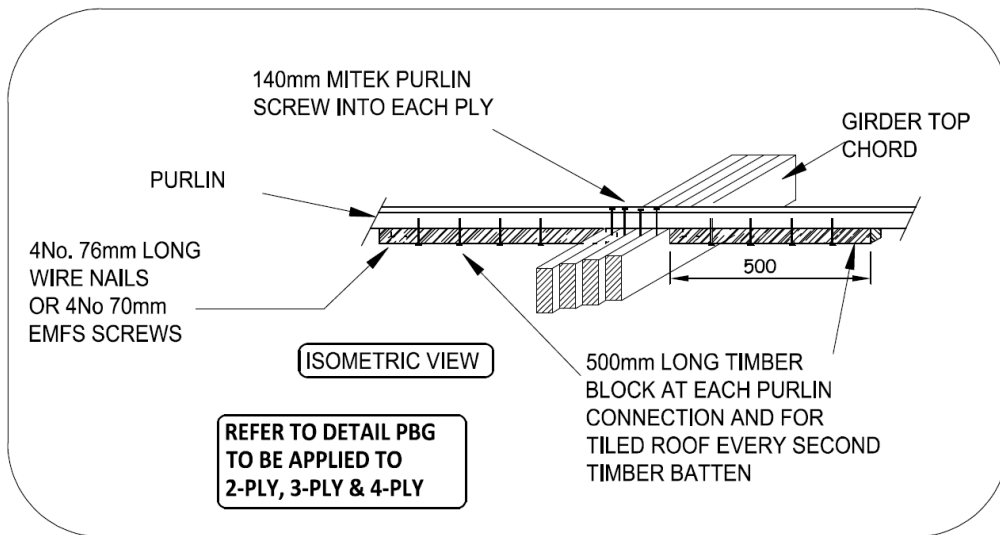
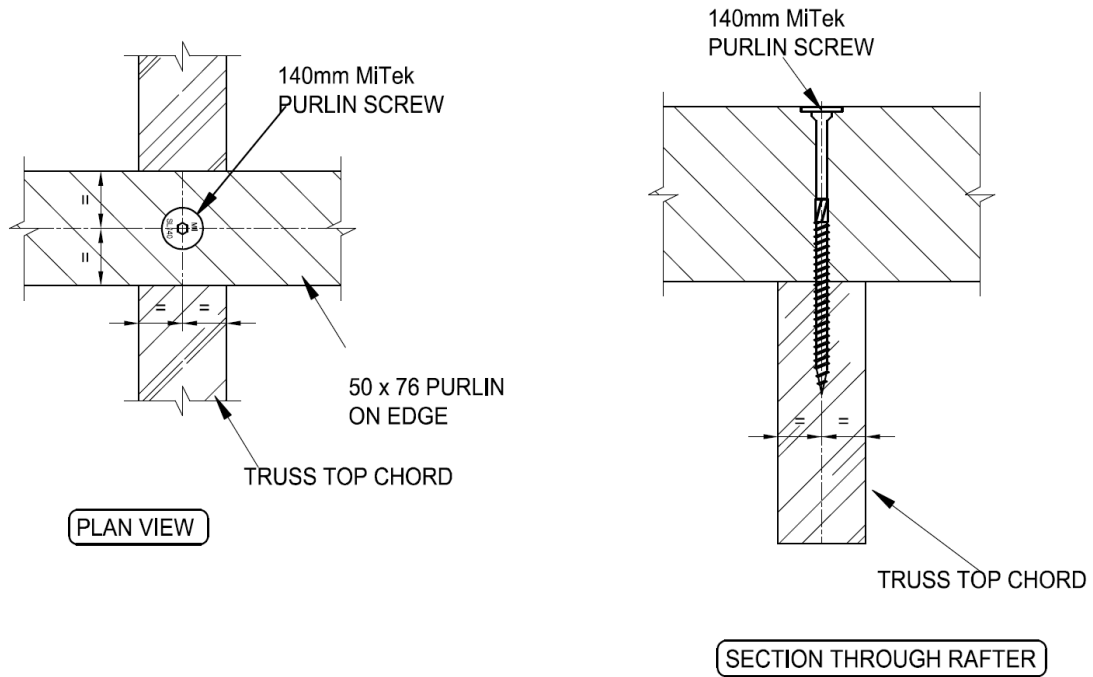
Drawing Date: 20/01/2023

Issued: 21/07/2023

© 2021 MiTek Inc. All Rights Reserved, Including the right to produce this publication or portion thereof in any form whatsoever | Confidential and Proprietary

For up to Site altitude 0, Terrain Category B and maximum wind speed of 40m/s, a minimum of 1 MiTek Purlin Screw can be used throughout the roof, where truss spacing and purlin spacing do not exceed 1200mm and 1150mm respectively.

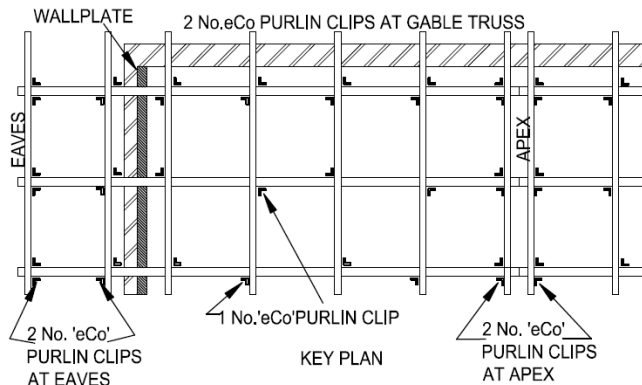
PC-PS | 50x76 TIMBER PURLIN CONNECTION DETAIL USING 140mm MITEK PURLIN SCREW



For the same wind conditions as above, but with truss spacing and purlin spacing not exceeding 1500mm and 1250mm respectively or Terrain categories specified below. A minimum of 2 Purlin clips or 1 MiTek Purlin Screw + purlin clip on the last 2 rows of eaves and gables. 1 Purlin clips or 1 MiTek Purlin Screw on each interior purlin-truss connection can be used. See detail PC-PS and PC-PS-HW below.

PC | 50x76 TIMBER PURLIN CONNECTION DETAILS

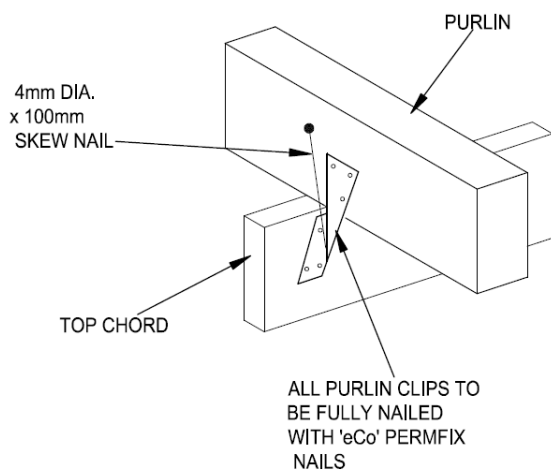
(For Terrain category A & B Use Hurricane Clips or 2 No. Purlin Clips or refer to MiTek Purlin Screw Detail PC-PS-HW / PC-PS)



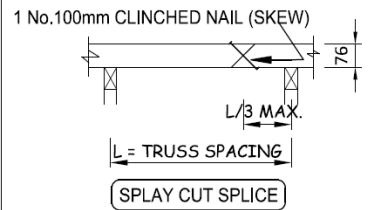
ALL PURLINS TO BE PLACED ON EDGE AND ERECTED TO THE CENTRES AS SPECIFIED BY THE DESIGNER. PURLIN SPLICING TO BE STAGGERED (REFER TO PURLIN SPLICES DETAIL)

2 No. eCo PURLIN CLIPS REQUIRED FOR EACH CONNECTION AT APEX, EAVES AND GABLE TRUSS. FOR OTHER CONNECTIONS 1 No. eCo PURLIN CLIP REQUIRED ON ALTERNATING SIDES OF TOP CHORD AS SHOWN ON KEY PLAN

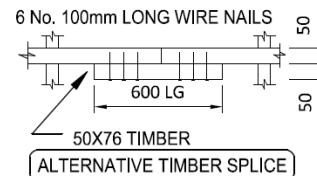
NOTE: HURRICANE CLIPS MAY BE USED AS AN ALTERNATIVE TO THE PURLIN CLIPS



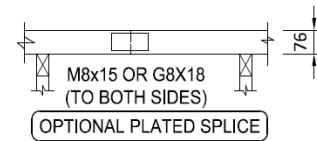
eCo PURLIN CLIP CONNECTION



SPLAY CUT SPLICE

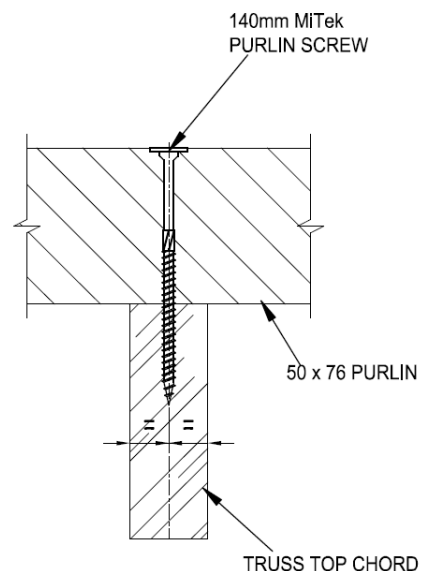


ALTERNATIVE TIMBER SPLICE



OPTIONAL PLATED SPLICE

PURLIN SPLICE DETAILS



MiTek PURLIN SCREW CONNECTION (REFER TO DETAIL PC-PS)

PC-PS-HW | 50x76 TIMBER PURLIN CONNECTION DETAIL USING 140mm MITEK PURLIN SCREW (For Terrain Category A Wind)

